

**Sawing at the
highest level**

**Fully automatic
universal sawing
machines**



KALTENBACH
CUTTING SYSTEMS

POWERFUL SOLUTIONS – PASSIONATE PEOPLE

 www.kaltenbach.com



■ POWERFUL SOLUTIONS – PASSIONATE PEOPLE

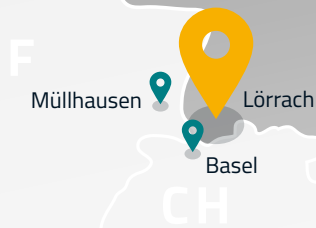
Sawing, drilling, burning, blasting or painting – working with steel means creating something for the future. With over 135 years experience KALTENBACH is one of the world's leading manufacturers of high-end steel processing lines.

Our name stands for innovative solutions, designed to optimise the quality of your steel products. By reducing energy usage and minimizing materials our machines are environmentally and offer low operating costs. Special attention is also given to health and safety and ergonomics, for a safe, comfortable workspace.

Our team of experts develops and optimises products and solutions to give your business a competitive edge.



RESPONSIBILITY – MADE IN GERMANY!



STEEL GOES GREEN!

Since 1887 we have been producing dependable, high-quality machinery in our 30,000 m² facility in Lörrach, Germany. However, we are more than just a manufacturer of sophisticated machinery: we combine tradition, engineering and sustainability all under one roof.

As an industrial enterprise we bear a considerable responsibility for the environment as we work towards a climate-neutral future. We therefore focus heavily on environmentally friendly raw materials and leading edge processes. Vertical integration at our Lörrach plant represents a valuable contribution in the transition to eco-friendly steel processing. In addition, we consistently incorporate energy-saving solutions such as LED lighting and energy-efficient motors, to sustainably lower our energy usage and reduce emissions.

KALTENBACH stands for top quality, durable products, as well as clear values firmly anchored in our corporate philosophy. We take our social responsibility seriously and support high social standards and equity in every facet of commerce.



Fully-automatic circular and bandsawing machines

In KALTENBACH automatic sawing machines material is fed and positioned to the desired cut-off length automatically. Depending on machine model, automatic mitre angle setting is also available. All our sawing lines are truly universal, suitable for sawing profiles and solids.

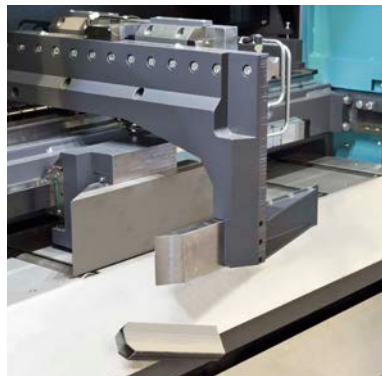
We combine decades of experience with know-how and 'Made in Germany' innovation, to enable you to meet any challenge. Discover safe, precise sawing with KALTENBACH.

Contents

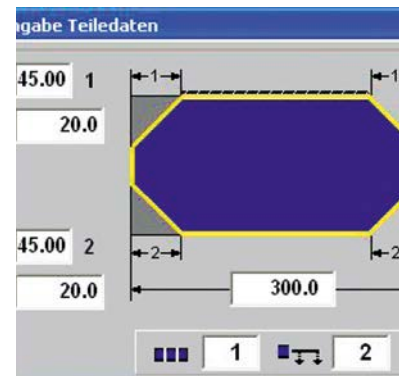
KKS 450 U/L 42 P	6
Automatic universal sawing machine	
KKS 461 NA	8
Automatic universal sawing machine	
KKS 463 NA	10–15
Automatic universal sawing machine	
KKS 461/463 NA OPTIONAL EQUIPMENT	16
PROFICUT SOFTWARE FOR KKS 461/463 AND KBS 400 DG NA	18
SKL 452 NA	20
Automatic sawing machine for aluminium	
KBS 400 DG NA	22
Twin-pillar automatic bandsawing machine	
MAGAZINES FOR KKS 461 NA/KKS 463 NA/SKL 452 NA	24
MODEL OVERVIEW	25
SERVICES	26



KKS 463 NA with infeed and outfeed systems.



KKS 463 NA automatic sorting system.



Part example on KKS 463 NA.

**USER-FRIENDLY &
TARGET-ORIENTED
PERFORMANCE.**



Horizontal clamps right and left of blade for optimum material clamping.



Atomiser lubrication in addition to flood coolant for virtually dry parts.



Large front door affords easy access for blade changes and chip tray removal.

The **KKS 450 U** is a universal circular sawing machine, ideal for one-offs and small batch production.

BENEFITS:

- > Saw blades <450mm
- > 180 ° miter range, with NC option
- > Single pushbutton semi-auto 'clamp-cut-retract-unclamp' cycle
- > Electronic blade height setting via pushbutton
- > Ergonomically arranged controls on the machine
- > Space saving installation
- > No manual setting of top clamp required thanks to long-stroke cylinder. Advantageous when cutting multiple material sizes
- > Two-speed drive (with frequency-controlled option) to suit virtually any application
- > Automatic material feed via optional 'pusher' length measuring system





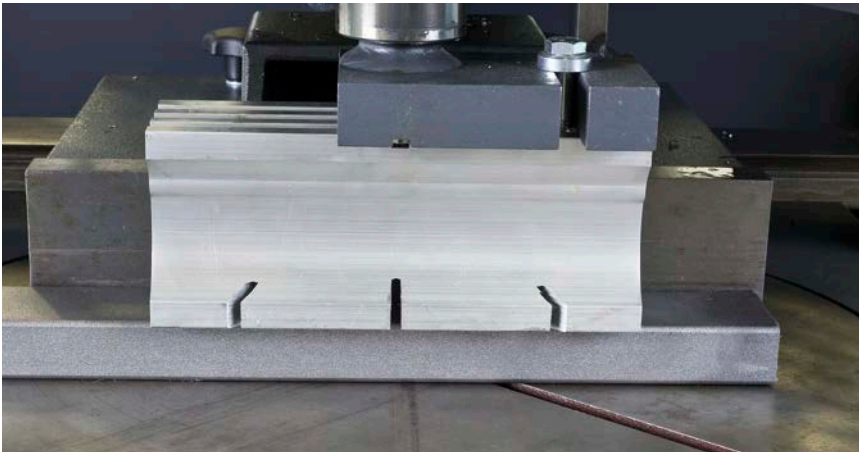
Infinitely adjustable feed rate to a chart.



Clamping pressure reduction for thin-wall materials.



Long-stroke clamping for quicker set-up.



Wide clamp block holds material both sides of blade.



Simple programming via large, adjustable control console (L 42 P).



L 42 P 'pusher' length measuring system, which can also operate as a traditional back stop.

PERFORMANCE SAWING AT THE HIGHEST LEVEL.



Precision positioning of material via shuttle feed gripper running in dual linear guides.



Horizontal hydraulic clamp on the outfeed holds part during the cut.

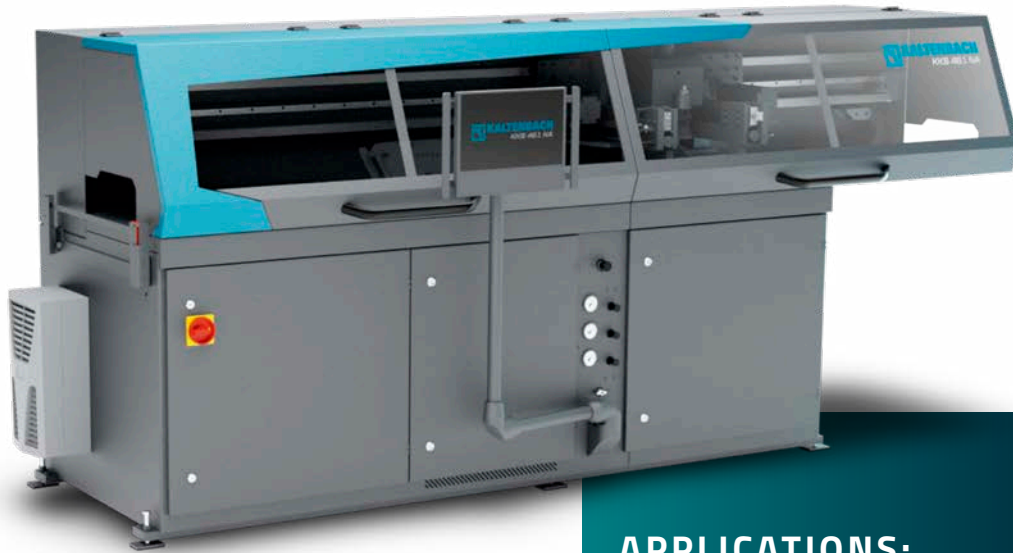


Adjustable clamping pressure for cutting thin-wall tubes and profiles.

Increase your efficiency with the **KKS 461 NA**, an automatic miter sawing cell for profiles and solids which runs autonomously. CNC control of the table ensures precise mitres, and feeds/speeds can be automatically calculated and set.

BENEFITS:

- > Automatic processing of flats, angles, solids, as well as tubes and special profiles
- > Automatic material feed via shuttle feed gripper
- > CNC mitre setting
- > Graphical user interface with touchscreen running PROFICUT software
- > Automatic calculation of sawblade speed and feed
- > Workflow either from the right or from the left
- > Automatic sorting option
- > One-piece welded base construction



APPLICATIONS:

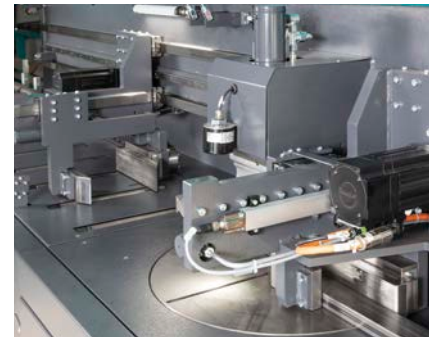
- Metalworking industries
- Staircase fabrication
- Machinery manufacture
- Transport and storage systems
- Automotive
- Industrial suppliers
- We are happy to advise you on your specific application



Optimum material clamping for best cut quality.



Pendulum-mounted touchscreen control panel.



Automatic parts sorting via outfeed gripper.



Label printer for part identification.



Chip conveyor.

**HIGHEST DEMANDS
RELIABLY FULFILLED.**



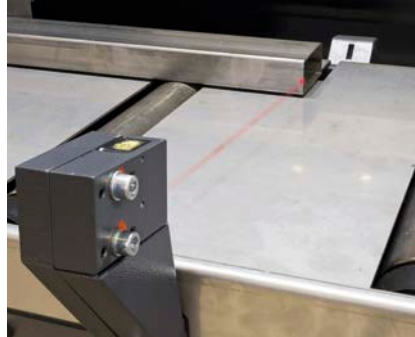
BENEFITS:

- > Automatic processing of tubes, profiles and solids
- > Automatic material feed via infeed gripper as well as measuring outfeed gripper
- > CNC mitre setting
- > Graphical user interface with touchscreen running PROFICUT software
- > Automatic calculation of sawblade feed and speed
- > Automatic sorting of parts to pre-programmed positions
- > Multiple mitre cuts on leading and trailing end of material
- > Workflow either from the right or from the left
- > Long-stroke clamping for quicker set-up
- > Drilling option for saw/drill applications
- > One-piece welded base construction





Top clamp rotates with table for optimum material clamping and shortest remnant (>15 mm).



Laser trim stop.



CNC mitre setting.



Free-standing control console for layout flexibility.



Integrated brush-off system to remove trims and remnants, slugs and chips from the table.



High-precision positioning of material via ballscrew driven by brushless servo motor and supported in dual linear bearings.



Outfeed sorting gripper holds material during the cut and sorts trims, remnants and good parts to pre-programmed positions.

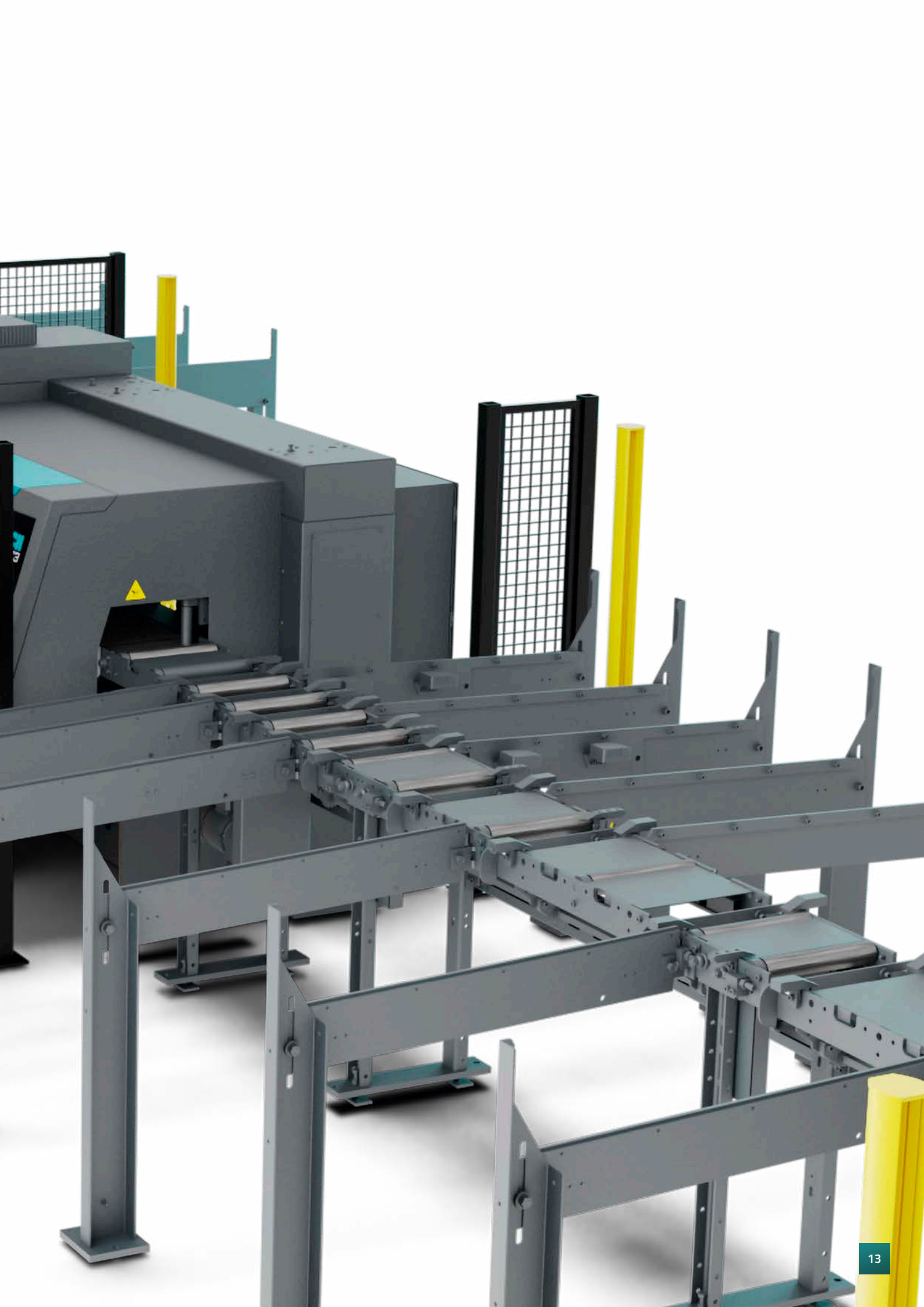


Parts pattern.

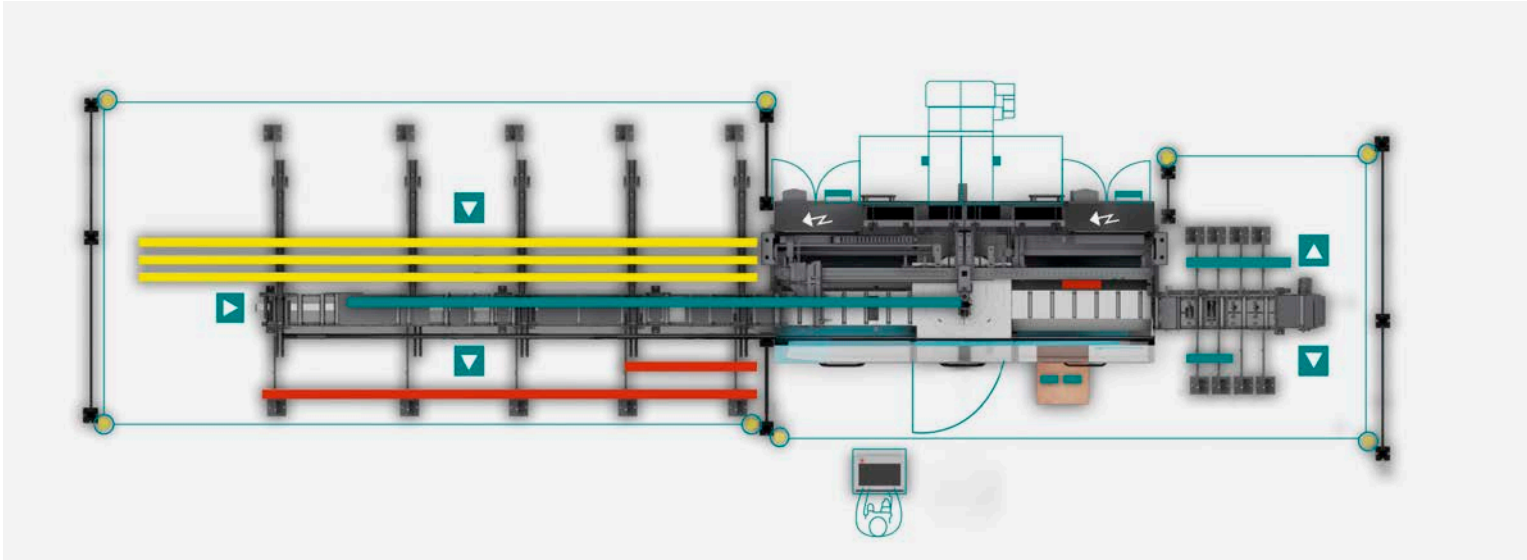


Flexible modular material handling.

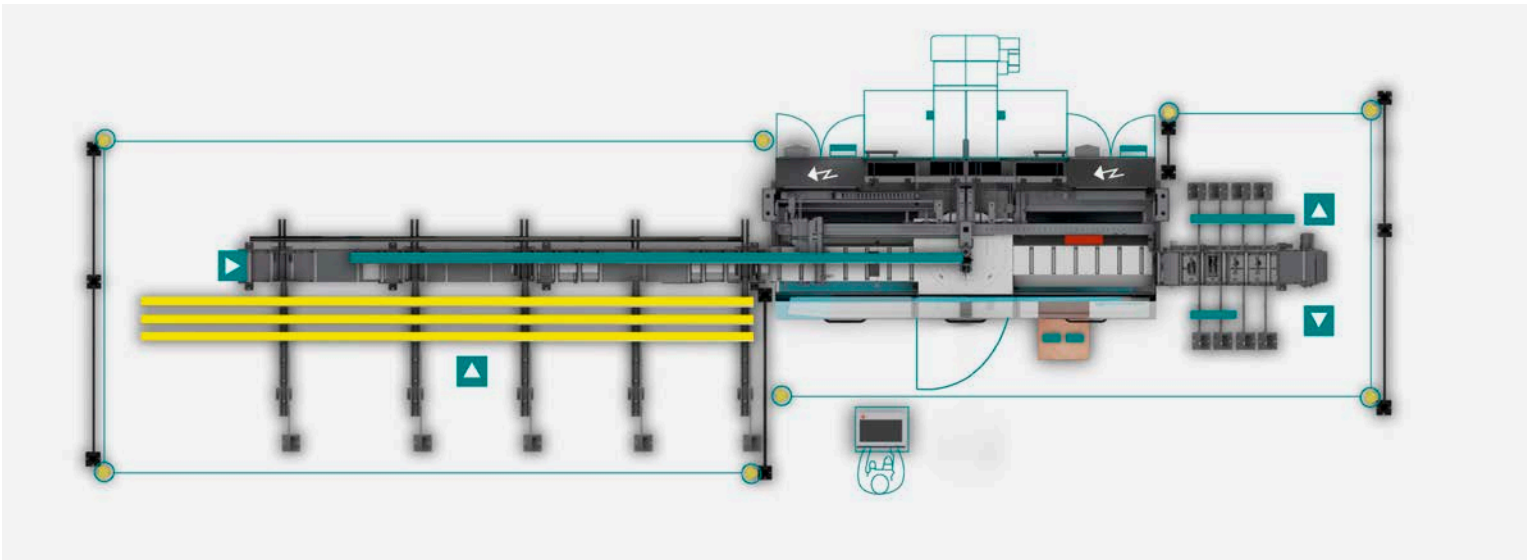
The KKS 463 NA can be fed by either a flat, inclined or bundle magazine. Stock lengths are powered into the machine by driven support rollers and sawn to pre-programmed cut lengths. Trims/remnants are automatically sorted from good parts, which are distributed to pre-programmed positions.



➤ Material feeding from rear left

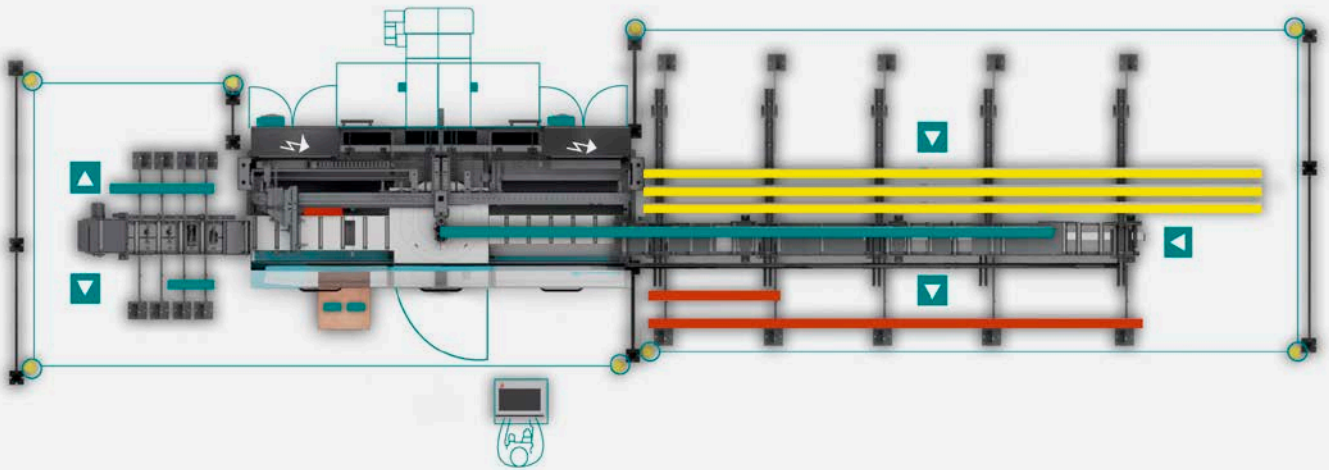


➤ Material feeding from front left

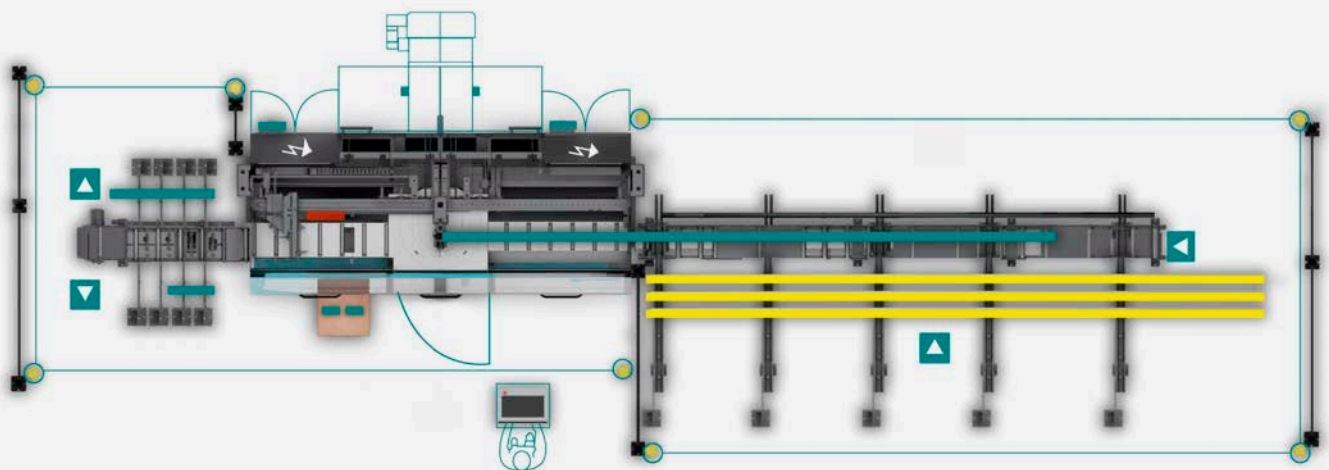


- Stock to be sawn
- Material being processed/good parts
- Trims/remnants

➤ Material feeding from rear right



➤ Material feeding from front right



Optional distribution systems



Outfeed belt conveyor

Parts can be deposited to the front or to the rear (only on KKS 461 NA).



Tilt roller table

Parts can be deposited at any position to either front or rear by the 'teach in' method (only on KKS 463 NA).



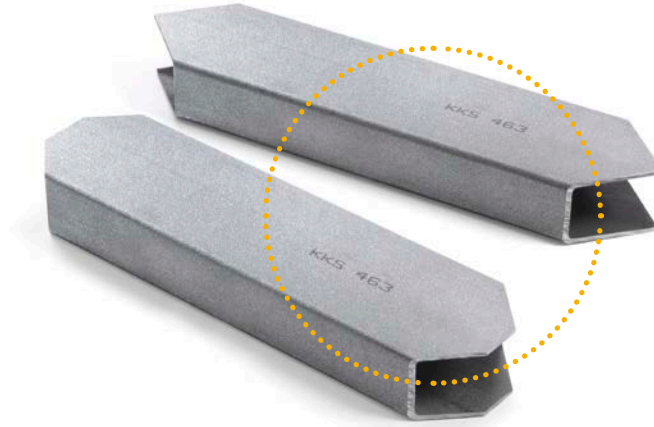
Lateral distribution with powered chain-and-dog push-off to front or rear.



Self-lowering slings for collecting cut parts.

Accessories

Part marking
via Inkjet printer.



Atomiser lubrication for virtually dry parts.



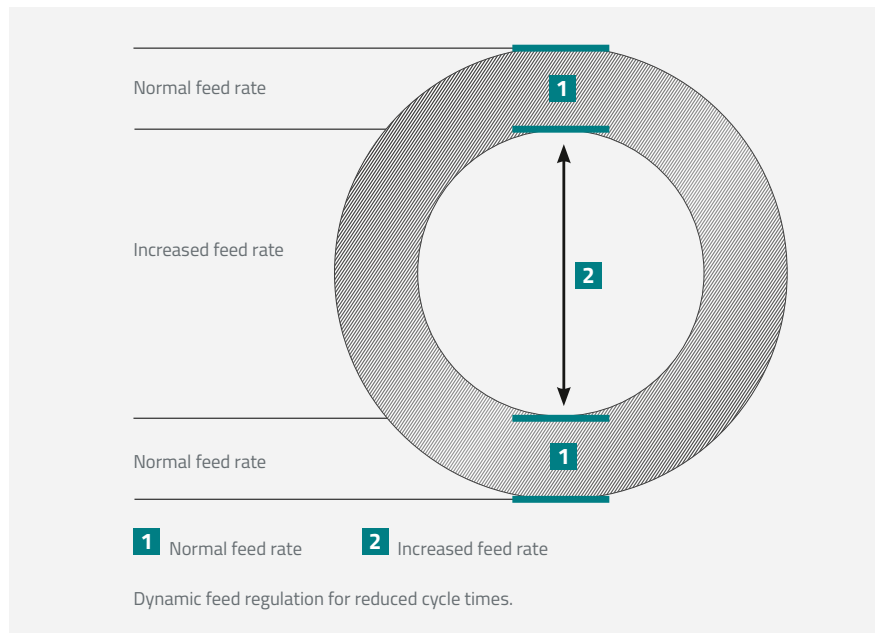
Material width measurement.



Hinged belt chip conveyor to remove chips, trims, slugs and remnants (only on KKS 463 NA).

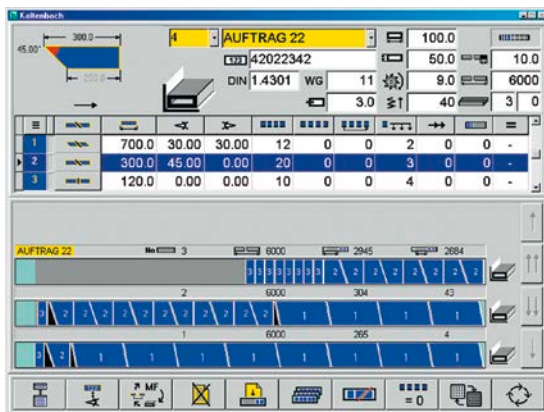


Programmable automatic pressure reduction via proportional valve to process thin-wall tubes and special profiles (only on KKS 463 NA).

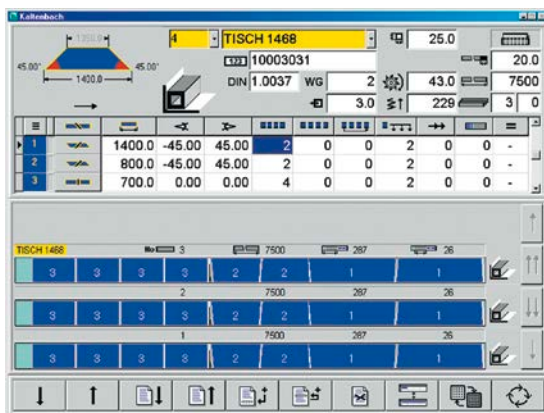


PROFICUT – Software for professionals

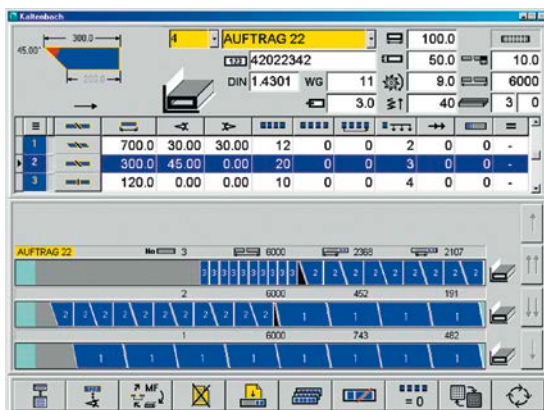
Optimisation modes for maximum material utilization.
Choose between:



> 'Filler part' mode

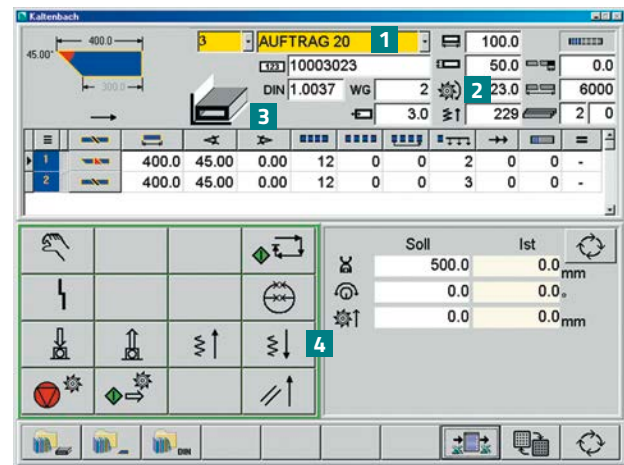


> Bar orientated

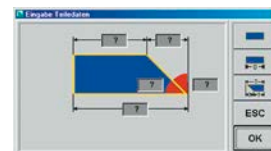


> Part orientated

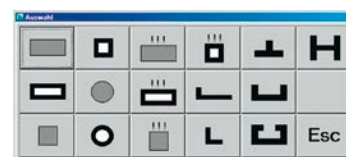
KKS 461 NA and KKS 463 NA machines feature PROFICUT software running in MS Windows Programming and operation via touchscreen panel with graphical user interface.



- 1 An infinite number of jobs can be saved
- 2 Feed/speed calculated automatically via material 'Work Group' No. or DIN specification (only on KKS 461 NA and KKS463 NA)
- 3 Graphic display of programmed jobs
- 4 Machine operation



Parts created by entering known dimensions.



Menu selection of material shape.

- Customer software data can be exported either as CAD data, or in DSTV or CSV (Excel) format
- Additional PROFICUT license (option) to download data from office-based PC

Data transfer via network or storage medium.

Machine PC with touchscreen and graphical user interface running on MS Windows. PROFICUT software imports CAD data – or data from PROFICUT office location, or by direct input at the machine.

Input functions:

- Infinite number of jobs can be entered
- Multi-tasking operation
- Input of dimensions on graphically displayed part

Display:

- Machine control buttons
- Graphic display of material cross section
- Graphic display of material shape
- Pre-calculation and graphic display of cut pattern on bar
- Active process display
- Automatic calculation of sawblade feed and speed

'Materials' database:

- Material data stored under freely selectable material designation

'Parts' database:

- Part data stored under freely selectable part designation

Remote diagnostics:

- Via telephone or internet connection (Team Viewer)

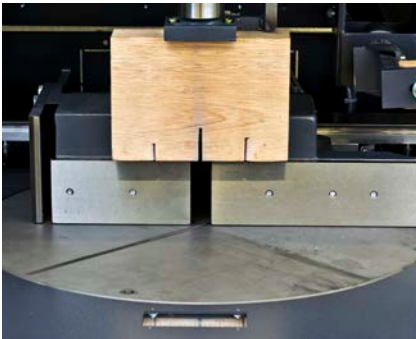
Job management:

- Programming/management of jobs via job number
- Input/processing of different materials under one job
- Input/processing of different stock lengths

Sawing process



ALUMINIUM NEEDS TO BE HANDLED WITH CARE.



Miter table.



Precise material positioning via ballscrew-mounted feed gripper.

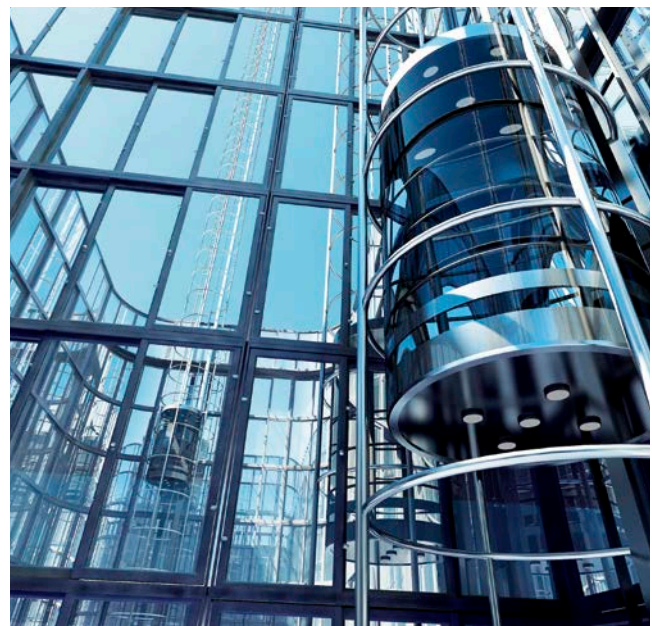


Large door provides easy access for blade changing and maintenance.

The **SKL 452 NA** is ideal for sawing aluminium and aluminium alloy profiles.

BENEFITS:

- > Automatic feed gripper for cut lengths up to 9,999 mm
- > Minimal remnant thanks to special gripper design
- > Short non-productive times thanks to electro-mechanical material feed
- > Optional chip exhaust system
- > Efficient atomiser lubrication extends blade life
- > Two-speed drive to cover all materials
- > CNC mitre setting





Hydro-pneumatic blade feed.



Feed regulator for infinitely variable feed setting – even during the cut.



Mechanical trim cut stop.

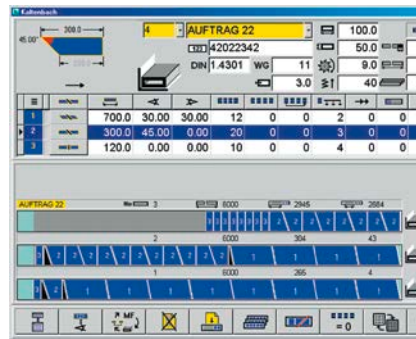


Simple programming via touchscreen.

VERSATILE MITRE-CUTTING BANDSAW FOR STEEL.



Saw bow mounted in pre-tensioned roller linear bearings.



Touchscreen with graphical user interface.

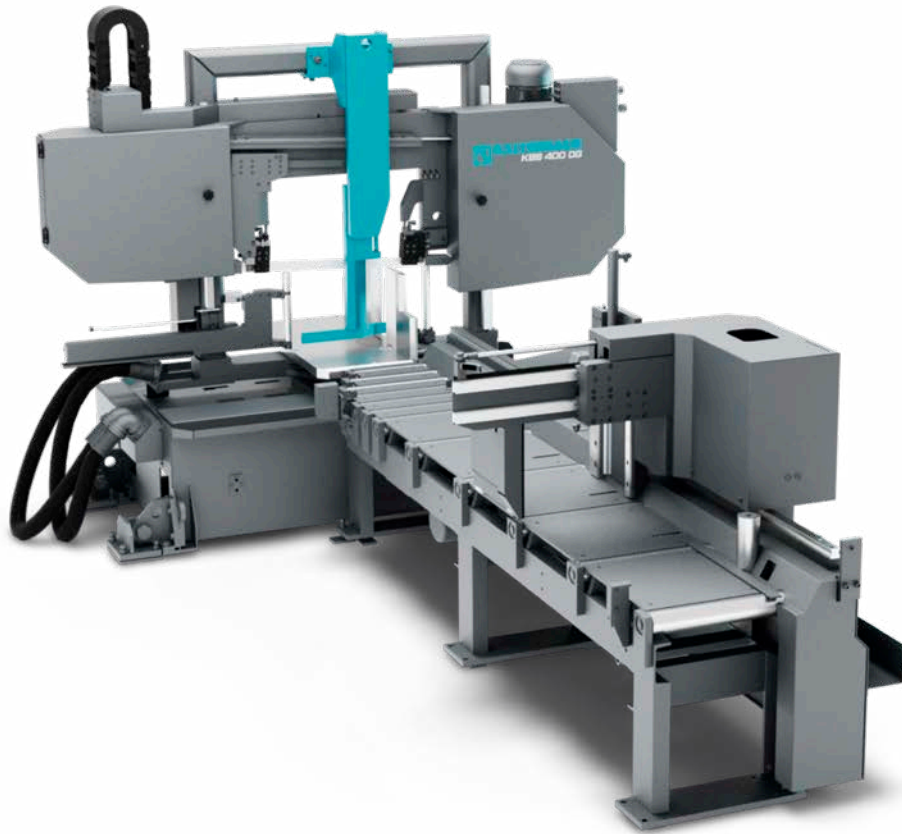


Infinitely variable hydraulic sawband feed.

KBS – the allrounder with large cutting capacity. Bandsaws prove their economic advantage particularly in the metal fabrication, steel processing and automotive sectors.

BENEFITS:

- > Twin-pillar horizontal bandsaw with a canted band providing high performance with precision.
- > Automatic feed gripper with a 2,600 mm single stroke
- > Full-stroke horizontal and vertical clamps, operating in cycle
- > Easy access for band changing
- > Excellent cut quality thanks to clamping both sides of the cut, with additional vertical clamping and infinitely variable feed
- > Machine rotates on the datum – so no length offset when cutting mitres
- > Electronic sawband slip monitor
- > Hydraulic band tensioning



CNC mitre setting.



Separate chip brush drive.



Frequency-controlled motor and gearbox mounted in a separate large-diameter roller bearing.



Carbide band guides for precise cuts.

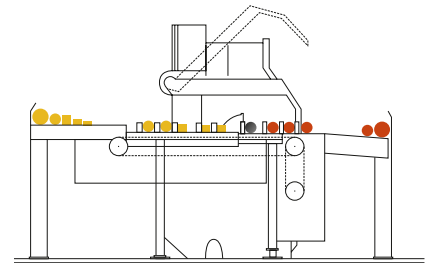
Magazines



- Stock to be sawn
- Material being processed
- Remnants

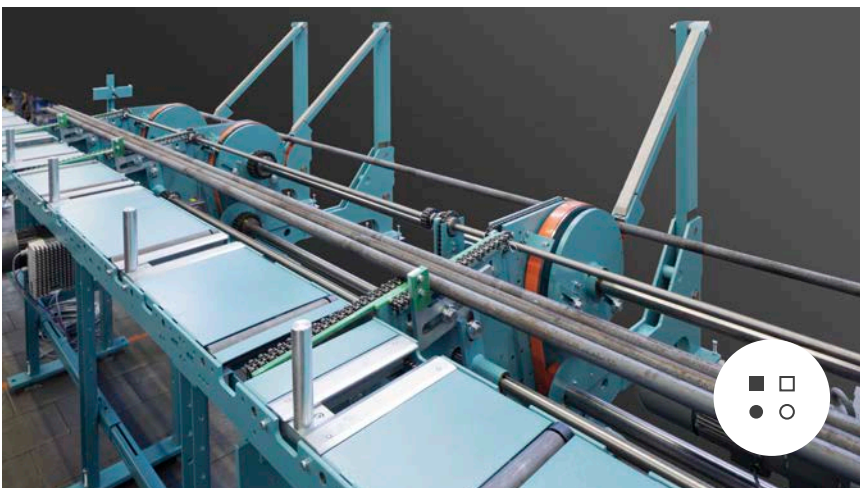
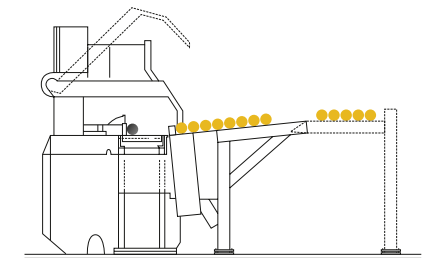
FM 1 Flat magazine

For round and square stock, as well as structural and special shapes.



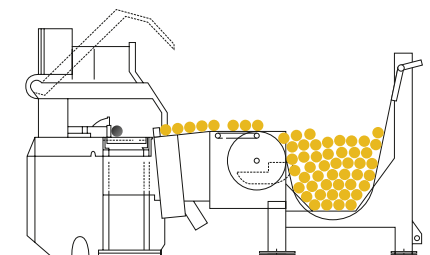
LM 1 Inclined magazine

For round and square stock.



VM Bundle magazine

For round and square stock.



Model overview

Technical data	KKS 450 U	KKS 461 NA	KKS 463 NA	SKL 452 NA	KBS 400 DG NA
Sawblade/band (mm)	Ø 450	Ø 460	Ø 460	Ø 450	5,730x41 x 1.3 mm
Motor power (kW) – standard – option – freq' drive option	1.8/2.7 4.0 resp. 5.5	1.7/2.6 4.0 resp. 5.5	7.8/9.5	3.7/4.7 4.7/6.3	4
Cutting speed (mm/min) – standard or or – freq' drive option	11/22 13/26 15/30 7-43 resp. 15-75	10/20 13/26 15/30 7-43 resp. 15-75	7-60 resp. 15-120	1,950/3,900	15-90
Saw feed (m/min) – infinitely variable – rapid return	0-1,000 3,300	0-1,000 3,500	0-1,000 3,500	0-1,000 4,500	0-300 2,500
Dimensions (mm) – length – width – height	1,050 900 1,840	2,580 1,230 1,650	4,615 1,940 1,790	1,050 900 1,840	2,710 4,520 2,150
Weight (kg)	1,050	3,000	4,900	1,480	3,600
Work height (mm)	1,010	1,010	1,010	1,010	720
Mitre range	180 °	120 °	120 °	120 °	115 °
Capacity (mm) ●○ (round) 90 ° ●○ (round) 45 ° ■□ (square) 90 ° ■□ (square) 45 ° ■□ (flat) 90 ° ■□ (flat) 45 °	150 150 140 130 330x40 250x40	155 150 145 130 3240x40 190x40	153 145 140 125 250x75 180x70	160 150 145 125 320x50 250x40	350 350 400x350 315x350 400x350 315x350

Features	KKS 450 U	KKS 461 NA	KKS 463 NA	SKL 452 NA	KBS 400 DG NA
Long-stroke clamp(s)	●	●	●	●	●
Outfeed-side horizontal clamp	○	○	–	○	●
Dynamic feed rate	–	○	○	–	–
Feed rate display	○	–	–	–	–
Digital display of mitre angle	●	●	●	●	●
NC mitre setting	○	○	●	○	●
Label printer	–	○	○	–	○
Inkjet printer	–	○	○	–	–
Automatic parts sorting	–	○	●	○	–
Atomiser lubrication	○	●	○	●	●
Workflow from right	○	○	○	–	●
Magazines	–	○	○	○	–
Drilling	–	○	○	–	–
Chip conveyor/exhaust	–	○	○	–	○

Service

MAXIMUM UP TIME AND PERFORMANCE

135 years in business, we are experts in steel processing and surface treatment. Service solutions tailored to your needs ensure you profit from your machinery investment through optimum performance, maximum up time and enhanced production.

■ PREVENTATIVE MAINTENANCE

Thanks to our excellent maintenance packages you can rely on maximum up time. Working with you our experienced service technicians can keep your equipment up to date, increase your productivity and advise how to meet new market demands.

■ EXTENDED PROCESS MONITORING

Process monitoring gives you a clear picture of your machinery status, so that preemptive preventative maintenance can be planned in advance.



■ PROFESSIONAL HELP DESK

You can count on our help desk for rapid assistance. Parts and help are provided quickly, whenever and wherever they required.

■ OEM PARTS AND STARTER KITS

Original parts provide optimum efficiency, longer life, while also prolonging the life of your machinery. By having all necessary parts available in stock our Starter Kits help you maximize productivity.

■ FIRST CLASS SUPPORT – ON SITE

Know-how, experience and a passionate commitment to supporting our customers forms the core of our customer service. Working together we strive to determine the best production process for your application.

■ COMPREHENSIVE TRAINING

Tailored training packages enhance your productivity and help you get the best from your machinery and personnel.



CONTACT OUR SERVICE DEPARTMENT:

Phone: +49 7621 175 244

Email: service@kaltenbach.com

or visit our website www.kaltenbach.com

Contact us

WE ARE HERE – WHENEVER YOU NEED US

As a leader in the field of steel processing KALTENBACH stands for superior product quality, innovation and design. It is our passion to provide customers worldwide with dependable solutions and low operating costs.

In conjunction with the above we focus on the environment by using energy-saving technologies and eco-friendly materials. Our latest automation systems provides you an excellent overview of your production process. Operating and maintaining KALTENBACH machinery is simple and user-friendly. You can be assured that whatever your questions or needs we are there for you – whenever you need us.

■ KALTENBACH Cutting Systems GmbH

Blasiring 3
79539 Lörrach, Germany
Phone: +49 7621 175-0
Email: info@kaltenbach.com

■ KALTENBACH B.V. – GIETART

Pruisische Veldweg 20
7552 AC Hengelo, The Netherlands
Phone: +31 74 2452 452
Email: sales-nl@kaltenbach.com

■ KALTENBACH Constructions de Machines S.A.S.

Z.I. de la Doller, 6 Rue de la Plaine d'Alsace
68520 Burnhaupt Le Haut, France
Phone: +33 3 89 48 99 89
Email: commercial-fr@kaltenbach.com

■ KALTENBACH Ltd.

3 Caxton Park, Caxton Road
Bedford, MK41 0TY, UK
Phone: +44 1234 213201
Email: sales@kaltenbach.co.uk

■ KALTENBACH Middle East FZC

P6-029 Saif Zone
PO Box 122696, Sharjah, UAE
Phone: +971 6 557 4624
Email: info@kaltenbach.ae

■ KALTENBACH Schweiz GmbH

Dättwilerstrasse 43
5405 Baden-Dättwil, Switzerland
Phone: +41 56 4704030
Email: info@kaltenbach-schweiz.ch

■ KALTENBACH s.r.o.

Mestecko 9
66461 Rajhrad u Brna, Czech Republic
Phone: +420549248077
Email: info@kaltenbach.cz

■ KALTENBACH Machinery (Shanghai) Co. Ltd.

Yuzhou Plaza, 299, Jin Gang Lu, Rm. 1205,
Pudong Yinqu, 201206 Shanghai, China
Phone: +86 21 5059 1560
Email: info.china@kaltenbach.com

■ KALTENBACH Asia PTE Ltd.

Block 439 Choa Chu Kang
Avenue 4 #12-439, Singapore 680439
Phone: +65 6769 0261
Email: kalten@singnet.com.sg

KALTENBACH reserves the right, without prior notice, to alter features, design and/or technical specifications. All rights reserved. This document may not be reproduced in whole or in part by any entity via any medium without express advance written permission. Although the information contained within this document is correct to the best of our conscience and knowledge KALTENBACH accepts no responsibility or liability for mistakes or omissions.

www.kaltenbach.com



TRUST 135 YEARS OF EXPERIENCE.

With 135 years of experience in steel processing and surface treatment, KALTENBACH is well placed to meet the challenges of an ever-changing global market, though continuous innovation, top quality processing systems and superior machinery design.

Eco-friendly, efficient, safe and reliable, our machinery is the right choice to meet any demands. Profit from our experience and add value – day in, day out.

www.kaltenbach.com

Product videos:

www.youtube.com/kaltenbachGroup

Follow us on LinkedIn:

www.Linkedin.com/company/kaltenbach