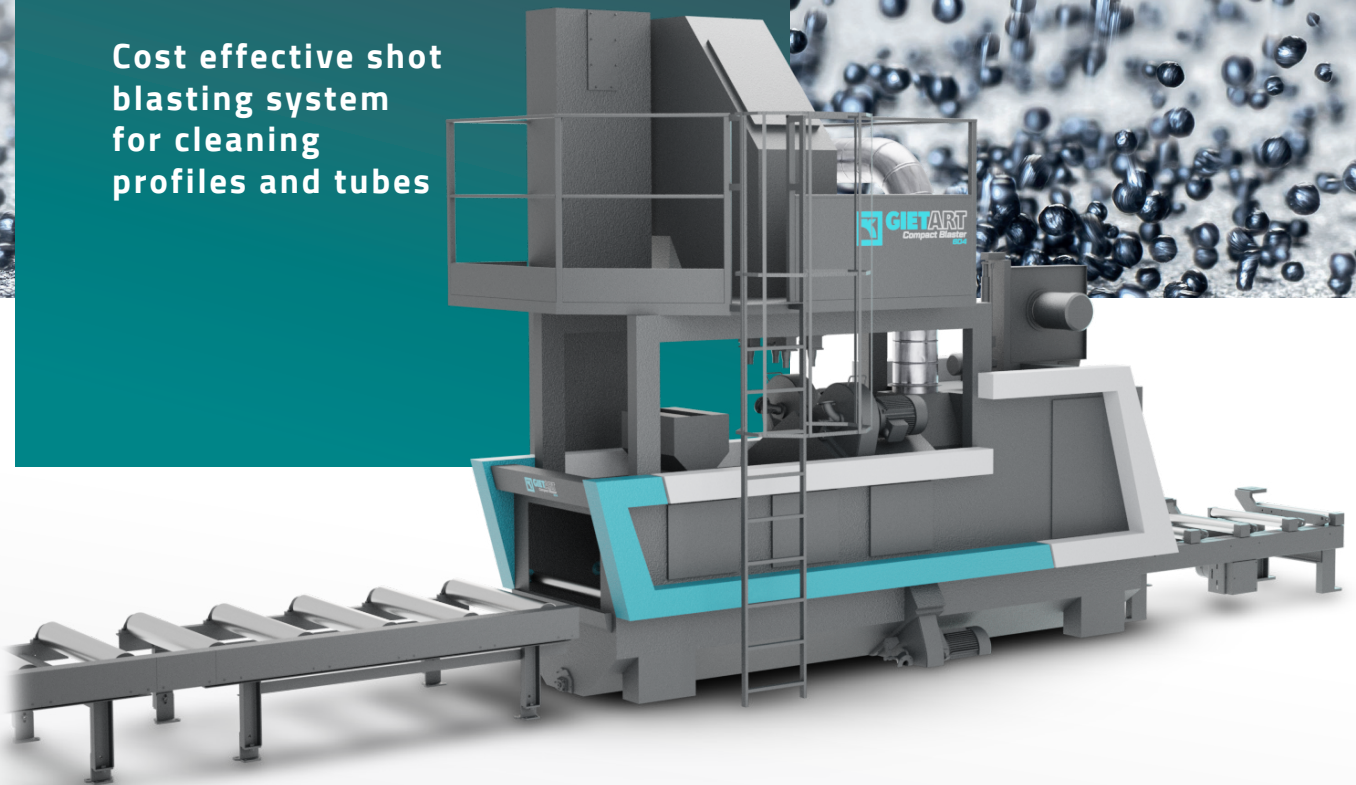


# Compact high- performance shot blaster

Cost effective shot  
blasting system  
for cleaning  
profiles and tubes





Compact shot blasting system for cleaning single profiles and tubes. This new GIETART Blaster is used by all kinds of steel processing companies. In case you need additional capacity or flexibility, our line is the perfect choice for your business. A powerful, fully reliable system for high-quality, cost effective surface treatment. It is the ideal solution to combine with a single Saw Drill and Coping line.

EXCEPTIONAL RELIABILITY AND MAXIMUM UPTIME

MOST ENVIRONMENTALLY FRIENDLY SOLUTIONS

LOWEST COST OF OWNERSHIP



KALTENBACH PROMISES

### BENEFITS AT A GLANCE

- > Suitable for single beams up to 600 mm width and multiple smaller products
- > Placement on the floor - standard
- > Small and slim footprint, compact system
- > Reliable and durable, high-quality blasted products
- > Superior performance at lowest cost of ownership
- > User-friendly system, easy to maintain
- > Equipped with 6, 9 or 12 m transport system

### UNIQUE COMPACT SHOT BLASTING SYSTEM

The ideal solution to place in line with complementary processes

#### *Optimal steel processing*

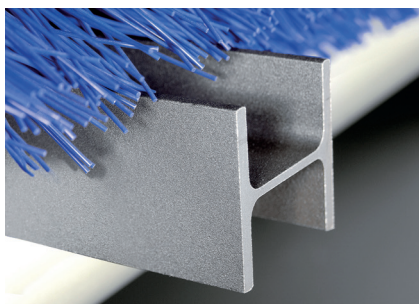
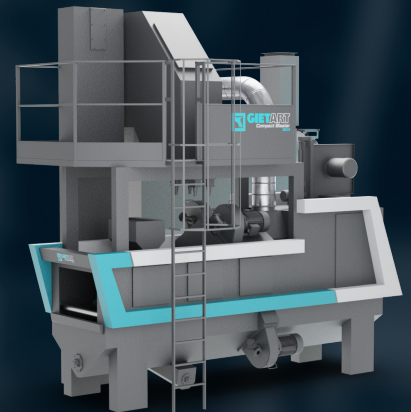
Excellent combination with Saw Drill and Coping line

#### *Cost effective cleaning*

Particularly suitable for single profiles and tubes

#### *No foundation work needed*

Placement directly on the floor



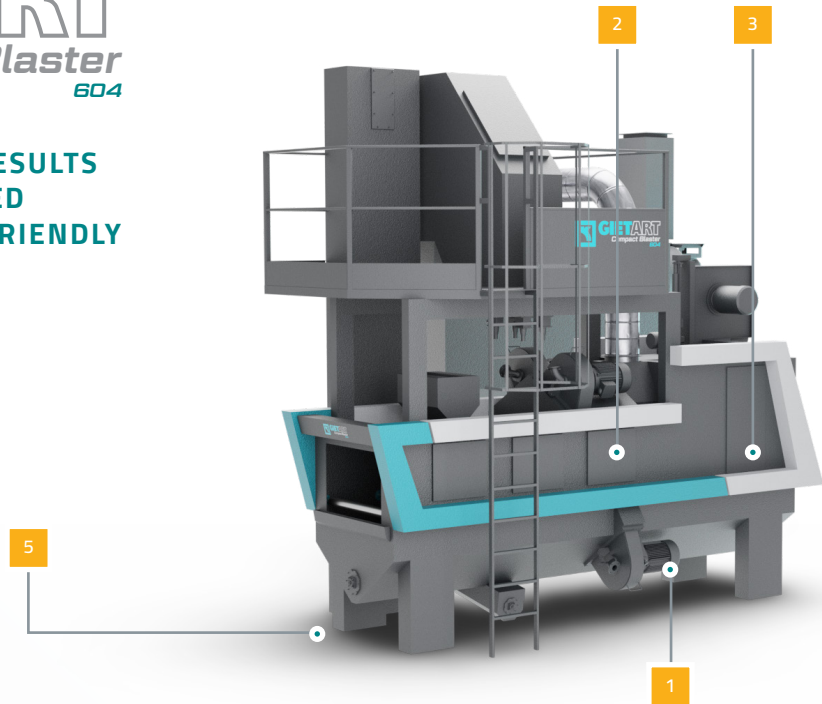
High-end blasting process. Clean working environment. Considerable savings on abrasive material. Reduced energy consumption.



Highly efficient surface treatment for the production of sophisticated, sustainable steel products.

- > Process more orders at considerably lower costs

- OPTIMAL SHOT BLASTING RESULTS
- ONLY LIMITED SPACE NEEDED
- MOST ENVIRONMENTALLY FRIENDLY
- LOW RUNNING COSTS



## FEATURES



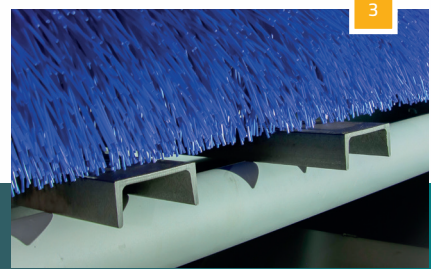
### Optimal shot blasting results

- Unique GIETART high-performance turbines
- Thoroughly cleaned steel surface
- Energy efficient blasting process



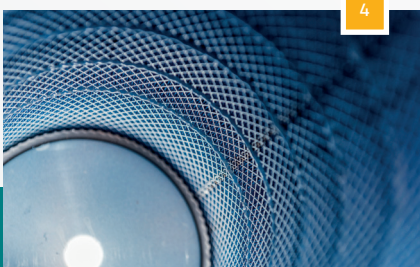
### Unique, durable shot blasting construction

- Extremely stable system through complete manganese housing
- Best in resistance to wear and reliability
- Maintenance friendly concept



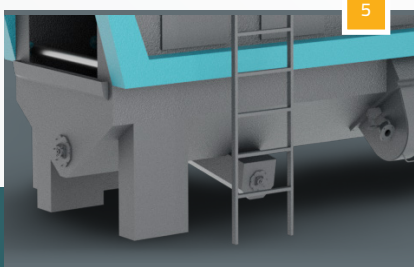
### Efficient and effective removal and reuse of abrasive material

- Clean product for further processing
- Considerable savings on abrasive material
- Brush and High Pressure blow-off system for removing abrasive



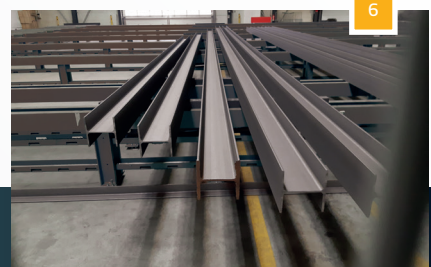
### Clean working environment

- Sophisticated air filtering system
- Return of purified air to the hall
- Unique longlife cartridge filters



### No foundation needed

- Easy handling
- Optimal transport possibilities
- High production flexibility



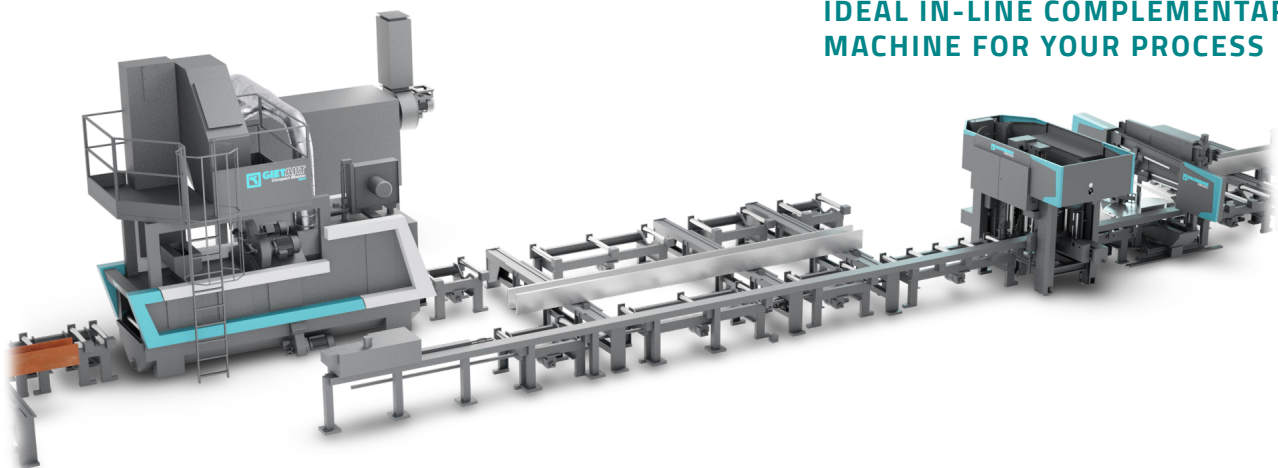
### Efficient material handling

- Designed to ensure an optimal process flow
- Most effective processing of material in your production area

## HARD FACTS

H T L U - O □

GIETART Shot blasting system		Compact Blaster 604
Capacity		Suitable for a throughput up to 7,500 tons per year
Workspace, max.	mm	600 x 300
Working range - flats	mm	600
Working range - profile	mm	600 x 300
Number of turbines	pieces	4
Drive performance per turbine	kW	7,5
Degree of automation		automatic infeed - automatic outfeed
Material class		steel
Working processes		profiles - solid material - flats



**IDEAL IN-LINE COMPLEMENTARY MACHINE FOR YOUR PROCESS**

## OPTIONS

- > Delivery with or without filter system
- > Automatic height adjustment
- > Standard equipped with 6, 9 or 12 m transport system
- > Brush or High Pressure blow-off section
- > Cross conveyors in different lengths



**KALTENBACH**

**KALTENBACH B.V.**  
 Pruisische Veldweg 20  
 7552 AC Hengelo  
 The Netherlands

Tel. +31 (0) 74 2452 452  
 E-Mail [info-nl@kaltenbach.com](mailto:info-nl@kaltenbach.com)

[www.kaltenbach.com](http://www.kaltenbach.com)